

### An Innovative Company

Since 1957, BGL has been providing high-performance solutions for the mounting of tapered bore bearings. Approaching its 70th anniversary, the company serves more than 70 countries and holds ISO 9001 certification. It manufactures **Adapter Sleeves, Lock Nuts, Lock Washers** and tools to the highest quality standards, using modern processes, and a fully integrated production, ensuring durability and efficiency.



### Product Range for Industrial Bearings





### Total Traceability

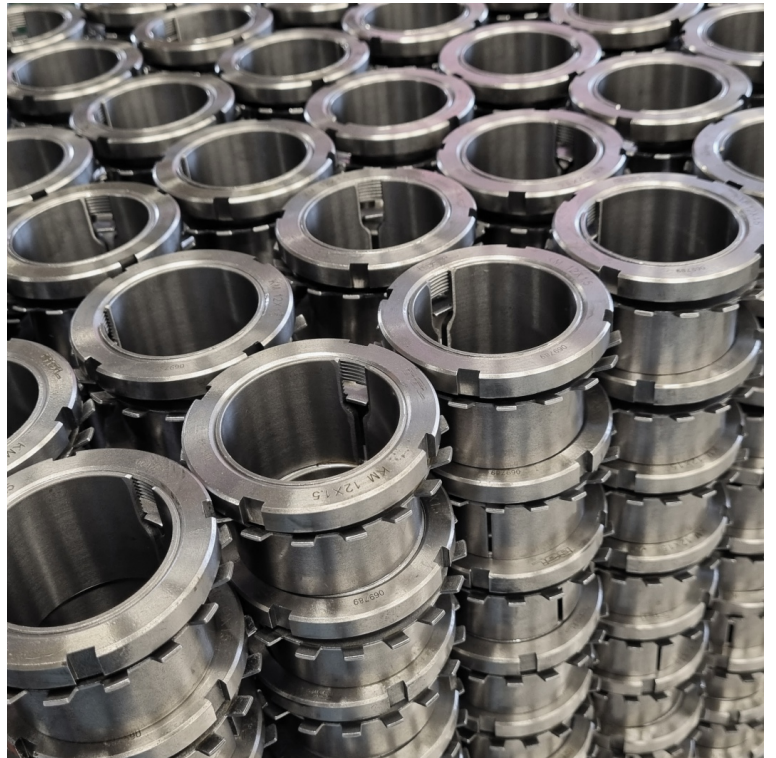
At BGL, we take traceability seriously, and the results speak for themselves.

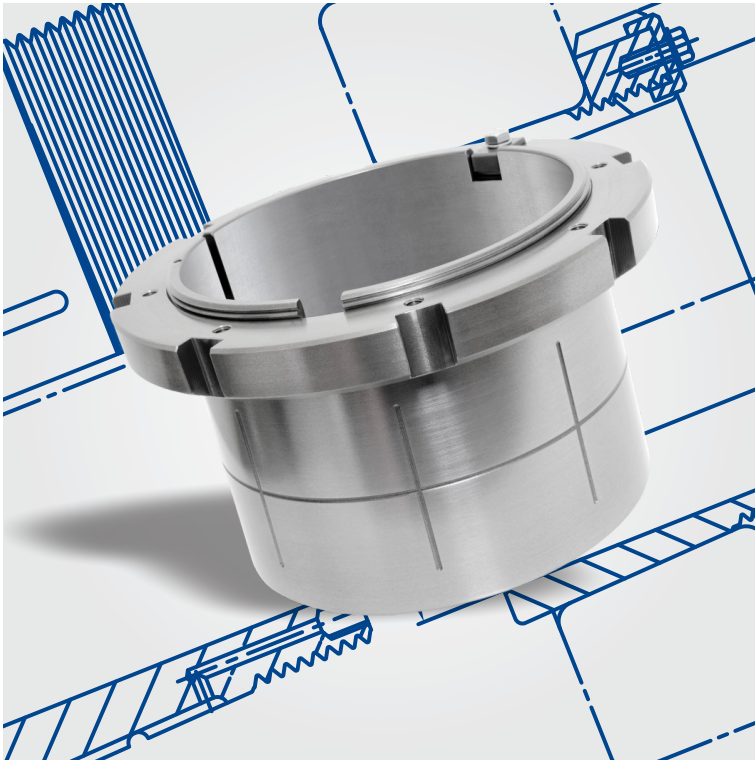
Our commitment to traceability provides us with all the relevant information about the manufacturing, storage, and shipping of our products, enabling us to identify precisely how they were produced, inspected, and released.

### Immediate Solutions

At BGL, we understand the importance of keeping your production running smoothly. That's why we maintain a large inventory of products to ensure that no customer experiences downtime due to a lack of parts.

Moreover, we can fulfill special orders quickly as our entire manufacturing process is fully integrated, giving us complete control over the production process and allowing to respond promptly to meet our customer's needs with short lead time.





### BGL Electronic Catalogue

Our electronic catalogue, which can be accessed through website at [www.bgl.com.br/en/catalogo](http://www.bgl.com.br/en/catalogo), is a highly useful tool that many of customers rely on. It's the quickest and most convenient way to find Sleeves for bearings and other accessories, with all their technical specifications and 2D and 3D drawings available at your fingertips. Don't hesitate to visit our BGL website and see for yourself!



### Free BGL App

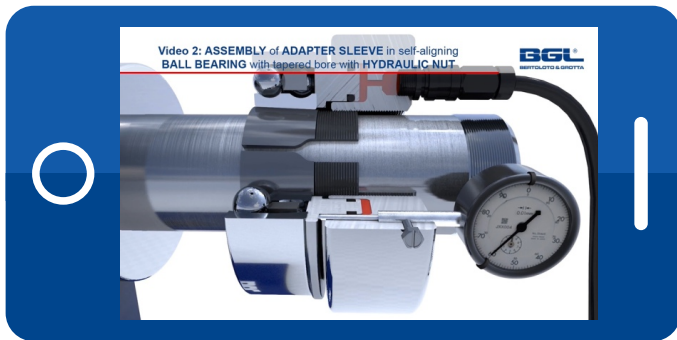
Need to calculate the reduction of radial clearance when mounting a spherical roller bearing with tapered bore and a sleeve? Look no further! Our user-friendly app not only solves this calculation in seconds but also provides you with detailed assembly instructions to help you get the job done right.

And the best part? It's completely free! So why wait? Download the **BGL App** today and take advantage of this powerful tool.



Download the BGL App and take advantage of this powerful tool!





### 16 Training Videos

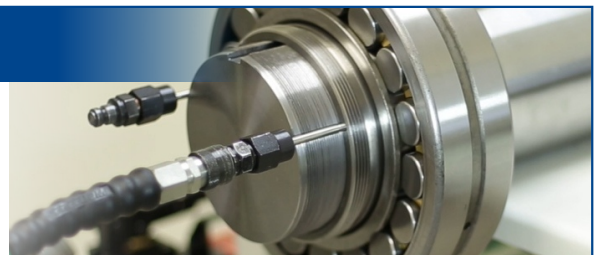
To facilitate assembly and disassembly of sleeves for bearings in Industrial Equipment:

[www.bgl.com.br/en/treinamento.htm](http://www.bgl.com.br/en/treinamento.htm)



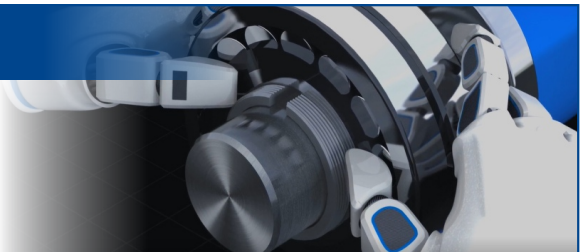
### Online Training with Certificate

Register for the training on mounting and dismounting adapter sleeves for tapered bore bearings.



### BGL Technical Guide

A simple and practical way to access BGL's Technical Content online!



One of the biggest factors that contributes to the credibility of the BGL brand is the ability to serve almost every sector of the domestic market, as well as exporting products to over 70 countries around the world. These countries demand only the highest levels of quality, and we are proud to meet their standards. These are just a few of the many unique advantages that make BGL a leader in the field of accessories for bearings.

Contact us today to learn more about how we can help you with your needs!



Reference in Sleeves for Bearings

SINCE 1957

ISO 9001

Av. Major José Levy Sobrinho, 1296 | 13486.190 | Limeira-SP | Brazil  
+ 55 19 3451.8210 | +55 19 99155.1332 | [info@bgl.com.br](mailto:info@bgl.com.br) | [www.bgl.com.br/en](http://www.bgl.com.br/en)

