



**EBL**

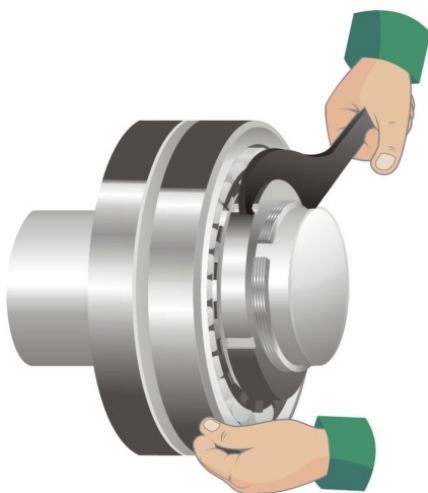
# HN HOOK SPANNERS



WHAT IT IS USED FOR?

# HN HOOK SPANNER TOOL

This is the optimum tool for **assembling and disassembling KM and KMT Nuts** with tears on the external diameter.



## MATERIAL

Steel SAE 1045 with thermal treatment, finished with black oxidization.

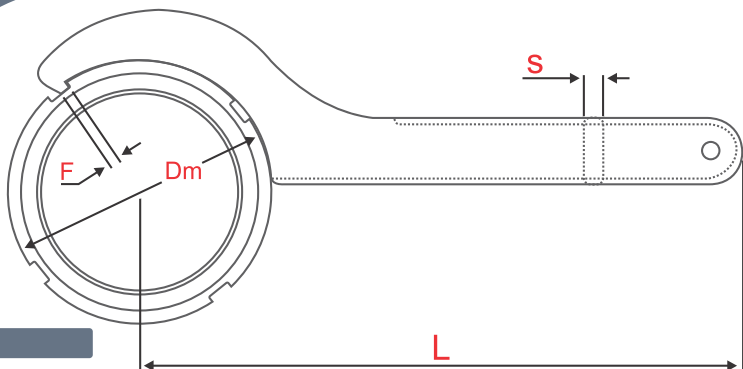


## IMPORTANT

The use of non-recommended tools for this purpose will reduce the working life of bearings.

# TO CHOOSE THE CORRECT HOOK SPANNER, PLEASE USE THE TABLE BELOW

CODE	Dm	F	L	S	LOCKNUTS
	mm	mm	mm	mm	
HN 1	22	2	120	4.7	KM 1, KM 1 32F, KMP 1
HN 2	25	2.5	120	4.7	KM 2, KM 2 32F, KMP 2
HN 3	28	2.5	120	4.7	KM 3, KM 3 32F, KMP 3
HN 4	32	2.5	120	4.7	KM 4, KM 4 32F, KMP 4, KMFE 4
HN 5	38	3.0	150	4.7	KM 5, KM 5 32F, KMP 5, KMFE 5
HN 6	45	3.5	180	6.3	KM 6, KM 6 18F, KMP 6, KMFE 6
HN 7	52	3.5	180	6.3	KM 7, KM 7 18F, KMP 7, KMFE 7
HN 8	58	4	210	8	KM 8, KM 8 18F, KMP 8, KMFE 8
HN 9	65	4	210	8	KM 9, KM 9 18F, KMP 9, KMFE 9
HN 10	70	4	210	8	KM 10, KM 10 18F, KMP 10, KMFE 10
HN 11	75	4	210	8	KM 11, KM 11X1.5, KM 11 18F, KMP 11, KMFE 11, KMFE 11X1.5
HN 12	80	5	240	8	KM 12, KM 12X1.5, KM 12 18F, KMP 12, KMFE 12, KMFE 12X1.5
HN 13	85	5	240	8	KM 13, KM 13X1.5, KM 13 18F, KMP 13, KMFE 13, KMFE 13X1.5
HN 14	92	5	240	8	KM 14, KM 14 18F, KMP 14, KMFE 14
HN 15	98	5	240	8	KM 15, KM 15 12F, KMP 15, KMFE 15
HN 16	105	5	240	8	KM 16, KM 16 12F, KMP 16, KMFE 1647T
HN 17	110	5	280	12.7	KM 17, KM 17 12F, KMP 17, KMFE 1747T
HN 18	120	5	280	12.7	KM 18, KM 18 12F, KMP 18, KMFE 1847T
HN 19	125	5	280	12.7	KM 19, KM 19 12F, KMP 19, KMFE 1947T
HN 20	130	5	280	12.7	KM 20, KM 20 12F, KMP 20, KMFE 2047T
HN 21	140	6	320	12.7	KM 21, KM 21 12F, KMFE 21
HN 22	145	6	320	12.7	KM 22, KM 22 12F, KML 24, KMFE 2247T
HN 23	148	10	394	12.7	KM 23, KMFE 23
HN 24	153	10	416.5	12.7	KM 24, KM 24 12F, KML 26, KMFE 2447T
HN 25	158	10	429	12.7	KM 25, KMFE 25
HN 26	163	10	436.5	12.7	KM 26, KM 26 12F, KML 28, KMP 26, KMFE 2647T
HN 27	173	12	451.5	15.8	KM 2747T
HN 28	178	12	464	15.8	KM 28, KM 28 12F, KML 30, KMFE 2847T
HN 29	188	12	484	15.8	KM 29, KML 32
HN 30	193	12	496.5	15.8	KM 30, KM 30 12F, KMFE 3047T
HN 31	198	13	509	15.8	KM 31, KML 3447T
HN 32	208	13	519	15.8	KM 32, KM 33, KM 32 8F, KML 36, KMP 32, KMFE 32, HMLL 3647T
HN 33	208	13	519	15.8	KM 32, KM 33, KM 32 8F, KML 36, KMP 32, KMFE 32, HMLL 3647T
HN 34	218	13	544	15.8	KM 34, KM 34 8F, KML 38, KMFE 34, HMLL 3847T
HN 36	228	15	564	15.8	KM 36, KM 36 8F, KMFE 3647T
HN 38	238	15	584	15.8	KM 38, KM 38 8F, KML 40, KMFE 38
HN 40	248	15	604	15.8	KM 40, KM 40 8F, KMFE 40, HM 42T, HML 41T, HML 43T, HMLL 42T, MLL 46T
HN 44	278	15	634	15.8	HM 44T, HM 44T 8F, HM 3044, HM 3144, HML 47T



## PRECISION NUT

KMT 0, KMT 1

KMT 2

KMT 3, KMT 4

KMT 5, KMT 6

KMT 7

KMT 8

KMT 9

KMT 10

KMT 11, KMT 12

KMT 13

KMT 14

KMT 15

KMT 16

KMT 17

KMT 18

KMT 19, KMT 20

KMT 22

KMT 24

KMT 26

KMT 28

KMT 30

KMT 32

KMT 34

KMT 36

KMT 36

KMT 38

KMT 40

HMLL 40

KMT 44

KMT 48

**Dm** External Diameter of the Nut

**F** Tooth Width

**L** Spanner Length

**S** Thickness

## EXAMPLE FOR SPECIFYING THE SIZE OF THE HOOK SPANNER FOR KM NUTS

Bearing 1317 K

Sleeves H 317 ou

Nut KM 17

Hook Spanner HN 17

**As you can see, all suffixes are the same.**

FOR OTHER KINDS OF NUTS, CHECK THE EXTERNAL DIAMETER ON THE NEXT TABLE

To know more, please access the demonstration videos on the use of the **Hook Spanner HN:**  
[www.bgl.com.br/en/treinamento.htm](http://www.bgl.com.br/en/treinamento.htm)

# YOU WILL ONLY GAIN WITH BGL TOOLS

With BGL **HookSpanner**, you correctly assemble sleeves and nuts, assuring the working life of bearings, besides more safely reducing the assembly/disassembly time.

## BGL ORIGINAL PARTS

All parts and tools have the **BGL** trademark, **code** and **batch number** laser printed on one of the faces of the product.

This information is required for traceability, easy identification and guarantee of **BCL** original parts.

BGL is a **100% Brazilian company, leader in the market of sleeves for industrial bearings** throughout Brazil. With a tradition of more than 60 years, its philosophy is quality, quickness and ethics, thus assuring high quality standards, credibility and precision, as attributes recognized worldwide.

Thanks to their proven quality, products are used by the best manufacturers of machines and equipment, having been adopted by large customers in the national and international industry. As a consequence of its constant worry to offer the best, BGL invests in quality programs, as shown by the **ISO 9001** certification.

## CHECK WITH YOUR DISTRIBUTOR

Version June 2018

## INDUSTRIAL BEARING ACCESSORIES LINE

Adapter Sleeves • Withdrawal Sleeves • Hydraulic Adapter Sleeves • Locknuts  
Lock Washers and Locking • Devices Precision Nuts • Hook Spanner  
Hydraulic Nuts • Hydraulic Pumps • Extension Tubes

**Quality • Accuracy • Agility • Tradition • Ethics**

**BGL**<sup>®</sup>

**BERTOLOTO & GROTTA**

Sleeves for Bearings

Since 1957 | ISO 9001

**BGL - Bertoloto & Grotta Ltda.**

Av. Major José Levy Sobrinho, 1296

Zip Code 13486-190 • Limeira-SP • Brazil

+55 19 3451.8210

info@bgl.com.br

[www.bgl.com.br/en](http://www.bgl.com.br/en)

